

Normal position NC
 Housing Brass (CW614N)
 Ambient temperature -10 °C to 50 °C
 Medium temperature -15 °C to 100 °C (FPM)
 -20 °C to 85 °C (NBR)

Mounting position Solenoid preferably in upright position
 Protection IP IP 65 (with connector socket fitted)
 Electrical connection Connector socket, industrial standard type A –

Voltage tolerance ± 10% acc. VDE 0580
 Power 230V 50Hz: 17.6VA

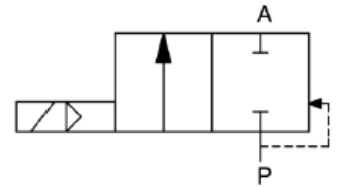
110V AC: 17.6VA

24V AC: 17.6VA

24V DC: 15W

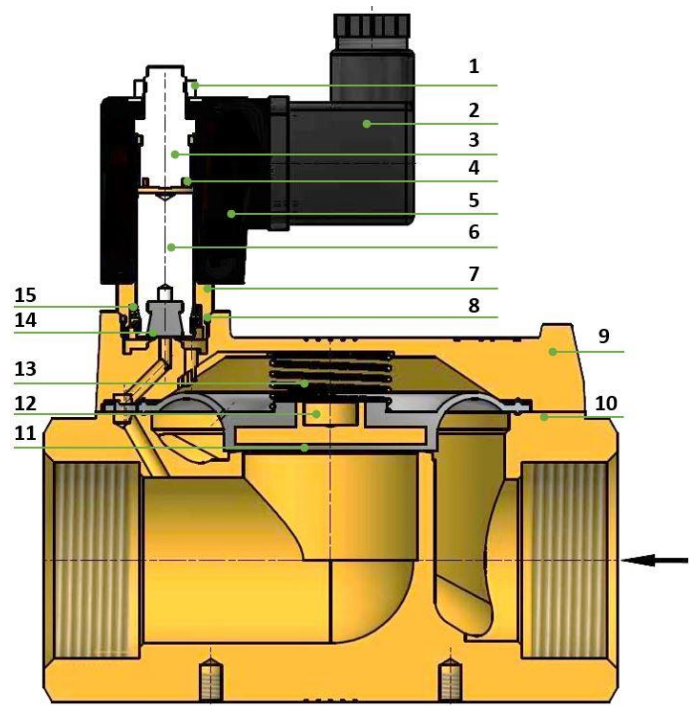
12V DC: 15W

Duty cycle 100% ED



Materials

No.	Part	Material
1	Nut	Galvanised steel
2	Connector socket	Plastic
3	Pole core	Stainless steel
4	Short circuit ring	Copper
5	Solenoid	Plastic cover
6	Plunger	Stainless steel
7	Guide tube	Brass
8	O-Ring	FPM/NBR
9	Cover	Brass
10	Housing	Brass
11	Diaphragm	FPM/NBR
12	Diaphragm insert	Brass
13	Spring	Stainless steel
14	Sealing plug seat	FPM/NBR
15	Spring	Stainless steel



P 3-541 e

2/2-way solenoid valves

pilot-operated
 professional standard series
 Art. No. 129496 to 129565



Solenoid valve, normally closed, pilot-operated, alternating current

Art. No.	Type No.	Thread	DN	Voltage	Sealant	Operating pressure bar	Flow rate m ³ /h
129496	MVA.38.MS.230.F.RV.13	G 3/8	13	230V AC	FPM	0.5 - 16	1.8
129510	MVA.38.MS.24A.F.RV.13	G 3/8	13	24V AC	FPM	0.5 - 16	1.8
129517	MVA.38.MS.110.F.RV.13	G 3/8	13	110V AC	FPM	0.5 - 16	1.8
129531	MVA.38.MS.230.N.RV.13	G 3/8	13	230V AC	NBR	0.5 - 16	1.8
129545	MVA.38.MS.24A.N.RV.13	G 3/8	13	24V AC	NBR	0.5 - 16	1.8
129552	MVA.38.MS.110.N.RV.13	G 3/8	13	110V AC	NBR	0.5 - 16	1.8
129497	MVA.12.MS.230.F.RV.13	G 1/2	13	230V AC	FPM	0.5 - 16	2.2
129511	MVA.12.MS.24A.F.RV.13	G 1/2	13	24V AC	FPM	0.5 - 16	2.2
129518	MVA.12.MS.110.F.RV.13	G 1/2	13	110V AC	FPM	0.5 - 16	2.2
129532	MVA.12.MS.230.N.RV.13	G 1/2	13	230V AC	NBR	0.5 - 16	2.2
129546	MVA.12.MS.24A.N.RV.13	G 1/2	13	24V AC	NBR	0.5 - 16	2.2
129553	MVA.12.MS.110.N.RV.13	G 1/2	13	110V AC	NBR	0.5 - 16	2.2
129498	MVA.34.MS.230.F.RV.20	G 3/4	20	230V AC	FPM	0.5 - 16	9.1
129512	MVA.34.MS.24A.F.RV.20	G 3/4	20	24V AC	FPM	0.5 - 16	9.1
129519	MVA.34.MS.110.F.RV.20	G 3/4	20	110V AC	FPM	0.5 - 16	9.1
129533	MVA.34.MS.230.N.RV.20	G 3/4	20	230V AC	NBR	0.5 - 16	9.1
129547	MVA.34.MS.24A.N.RV.20	G 3/4	20	24V AC	NBR	0.5 - 16	9.1
129554	MVA.34.MS.110.N.RV.20	G 3/4	20	110V AC	NBR	0.5 - 16	9.1
129499	MVA.1.MS.230.F.RV.25	G 1	25	230V AC	FPM	0.5 - 16	12.7
129513	MVA.1.MS.24A.F.RV.25	G 1	25	24V AC	FPM	0.5 - 16	12.7
129520	MVA.1.MS.110.F.RV.25	G 1	25	110V AC	FPM	0.5 - 16	12.7
129534	MVA.1.MS.230.N.RV.25	G 1	25	230V AC	NBR	0.5 - 16	12.7
129548	MVA.1.MS.24A.N.RV.25	G 1	25	24V AC	NBR	0.5 - 16	12.7
129555	MVA.1.MS.110.N.RV.25	G 1	25	110V AC	NBR	0.5 - 16	12.7
129500	MVA.114.MS.230.F.RV.32	G 1 1/4	32	230V AC	FPM	0.5 - 12	21.5
129521	MVA.114.MS.110.F.RV.32	G 1 1/4	32	24V AC	FPM	0.5 - 12	21.5
129514	MVA.114.MS.24A.F.RV.32	G 1 1/4	32	110V AC	FPM	0.5 - 12	21.5
129535	MVA.114.MS.230.N.RV.32	G 1 1/4	32	230V AC	NBR	0.5 - 12	21.5
129549	MVA.114.MS.24A.N.RV.32	G 1 1/4	32	24V AC	NBR	0.5 - 12	21.5
129556	MVA.114.MS.110.N.RV.32	G 1 1/4	32	110V AC	NBR	0.5 - 12	21.5
129501	MVA.112.MS.230.F.RV.40	G 1 1/2	40	230V AC	FPM	0.5 - 12	28.1
129515	MVA.112.MS.24A.F.RV.40	G 1 1/2	40	24V AC	FPM	0.5 - 12	28.1
129522	MVA.112.MS.110.F.RV.40	G 1 1/2	40	110V AC	FPM	0.5 - 12	28.1
129536	MVA.112.MS.230.N.RV.40	G 1 1/2	40	230V AC	NBR	0.5 - 12	28.1
129550	MVA.112.MS.24A.N.RV.40	G 1 1/2	40	24V AC	NBR	0.5 - 12	28.1
129557	MVA.112.MS.110.N.RV.40	G 1 1/2	40	110V AC	NBR	0.5 - 12	28.1
129502	MVA.2.MS.230.F.RV.50	G 2	50	230V AC	FPM	0.5 - 10	37.8
129516	MVA.2.MS.24A.F.RV.50	G 2	50	24V AC	FPM	0.5 - 10	37.8
129523	MVA.2.MS.110.F.RV.50	G 2	50	110V AC	FPM	0.5 - 10	37.8
129537	MVA.2.MS.230.N.RV.50	G 2	50	230V AC	NBR	0.5 - 10	37.8
129551	MVA.2.MS.24A.N.RV.50	G 2	50	24V AC	NBR	0.5 - 10	37.8
129558	MVA.2.MS.110.N.RV.50	G 2	50	110V AC	NBR	0.5 - 10	37.8

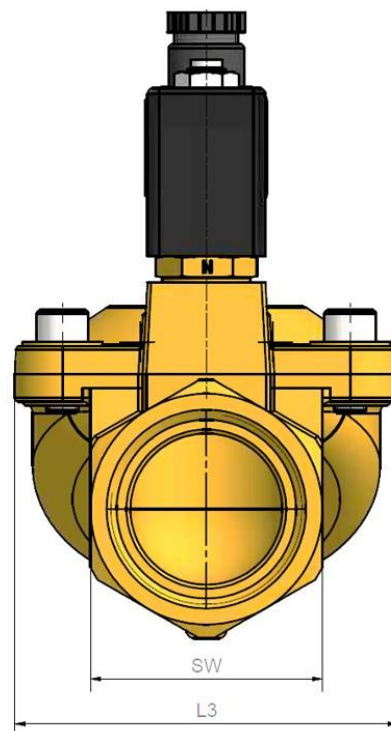
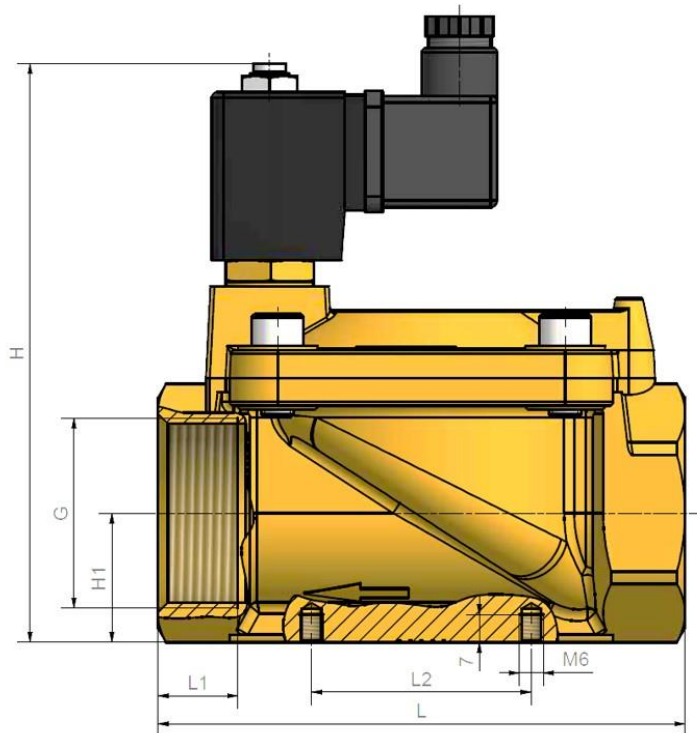
Solenoid valve, normally closed, pilot-operated, direct current

Art. No.	Type No.	Thread	DN	Voltage	Sealant	Operating pressure bar	Flow rate m ³ /h
129503	MVA.38.MS.24D.F.RV.13	G 3/8	13	24V DC	FPM	0.5 - 16	1.8
129524	MVA.38.MS.12.F.RV.13	G 3/8	13	12V DC	FPM	0.5 - 16	1.8
129538	MVA.38.MS.24D.N.RV.13	G 3/8	13	24V DC	NBR	0.5 - 16	1.8
129559	MVA.38.MS.12.N.RV.13	G 3/8	13	12V DC	NBR	0.5 - 16	1.8
129504	MVA.12.MS.24D.F.RV.13	G 1/2	13	24V DC	FPM	0.5 - 16	2.2
129525	MVA.12.MS.12.F.RV.13	G 1/2	13	12V DC	FPM	0.5 - 16	2.2
129539	MVA.12.MS.24D.N.RV.13	G 1/2	13	24V DC	NBR	0.5 - 16	2.2
129560	MVA.12.MS.12.N.RV.13	G 1/2	13	12V DC	NBR	0.5 - 16	2.2
129505	MVA.34.MS.24D.F.RV.20	G 3/4	20	24V DC	FPM	0.5 - 16	9.1
129526	MVA.34.MS.12.F.RV.20	G 3/4	20	12V DC	FPM	0.5 - 16	9.1
129540	MVA.34.MS.24D.N.RV.20	G 3/4	20	24V DC	NBR	0.5 - 16	9.1
129561	MVA.34.MS.12.N.RV.20	G 3/4	20	12V DC	NBR	0.5 - 16	9.1
129506	MVA.1.MS.24D.F.RV.25	G 1	25	24V DC	FPM	0.5 - 16	12.7
129527	MVA.1.MS.12.F.RV.25	G 1	25	12V DC	FPM	0.5 - 16	12.7
129541	MVA.1.MS.24D.N.RV.25	G 1	25	24V DC	NBR	0.5 - 16	12.7
129562	MVA.1.MS.12.N.RV.25	G 1	25	12V DC	NBR	0.5 - 16	12.7
129507	MVA.114.MS.24D.F.RV.32	G 1 1/4	32	24V DC	FPM	0.5 - 12	21.5
129528	MVA.114.MS.12.F.RV.32	G 1 1/4	32	12V DC	FPM	0.5 - 12	21.5
129542	MVA.114.MS.24D.N.RV.32	G 1 1/4	32	24V DC	NBR	0.5 - 12	21.5
129563	MVA.114.MS.12.N.RV.32	G 1 1/4	32	12V DC	NBR	0.5 - 12	21.5
129508	MVA.112.MS.24D.F.RV.40	G 1 1/2	40	24V DC	FPM	0.5 - 12	28.1
129529	MVA.112.MS.12.F.RV.40	G 1 1/2	40	12V DC	FPM	0.5 - 12	28.1
129543	MVA.112.MS.24D.N.RV.40	G 1 1/2	40	24V DC	NBR	0.5 - 12	28.1
129564	MVA.112.MS.12.N.RV.40	G 1 1/2	40	12V DC	NBR	0.5 - 12	28.1
129509	MVA.2.MS.24D.F.RV.50	G 2	50	24V DC	FPM	0.5 - 10	37.8
129530	MVA.2.MS.12.F.RV.50	G 2	50	12V DC	FPM	0.5 - 10	37.8
129544	MVA.2.MS.24D.N.RV.50	G 2	50	24V DC	NBR	0.5 - 10	37.8
129565	MVA.2.MS.12.N.RV.50	G 2	50	12V DC	NBR	0.5 - 10	37.8

P 3-541 e

2/2-way solenoid valves

pilot-operated
professional standard series
Art. No. 129496 to 129565

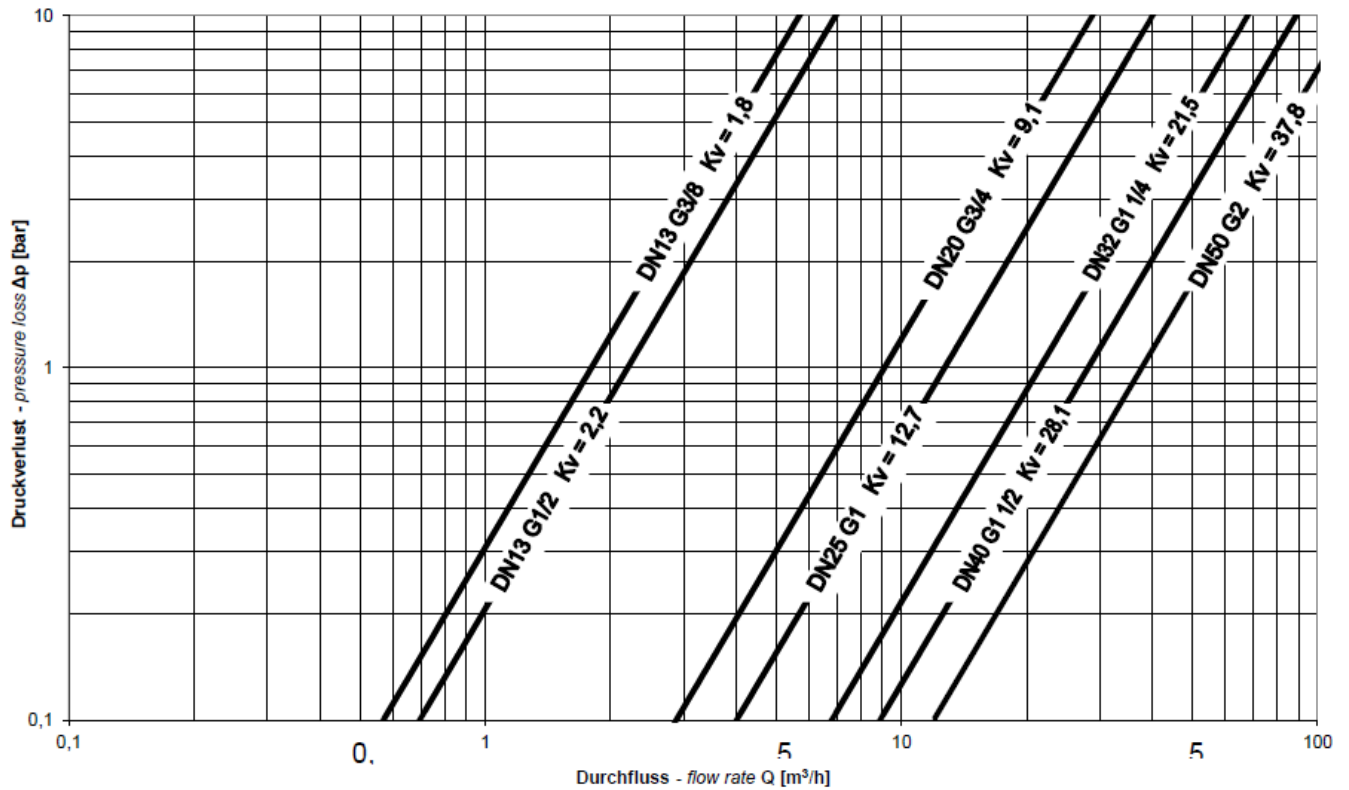


Dimensions

Thread	SW	H	H1	L	L1	L2	L3
	mm	mm	mm	mm	mm	mm	mm
G 3/8	27	103.0	14.0	67.0	11.0	*1	48.0
G 1/2	27	103.0	14.0	67.0	11.0	*1	48.0
G 3/4	41	124.0	23.0	95.0	13.0	40.0	70.0
G 1	41	124.0	23.0	95.0	13.0	40.0	70.0
G 1 1/4	60	145.0	32.0	132.0	20.0	55.0	96.0
G 1 1/2	60	145.0	32.0	132.0	20.0	55.0	96.0
G 2	70	163.0	38.0	160.0	24.0	*1	112.0

*1 on request

Druckverlust, K_v -Werte
 Pressure loss, K_v -values



Umrechnung:
 conversion: $C_v = K_v / 0,865$